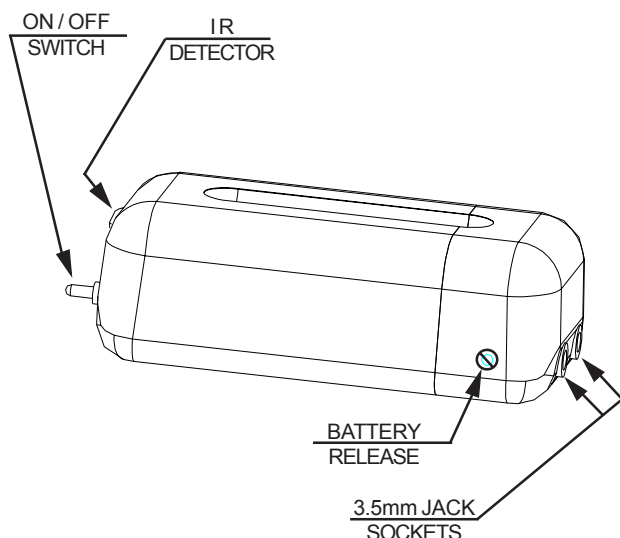


# HC708B PIRL II (POSSUM INFRA-RED LINK)



The HC708B PIRL II IR Interface is for use with Possum Controls Equipment and any other infrared environmental controls (That can learn Possum codes).

The HC708B will have been set up to suit the programming of your main controller (Compact, Companion or Freeway). To control the device(s) connected to the HC708, simply select the appropriate position from your controller menu.

## THE POWER SWITCH

The switch (indicated as ON/OFF) on the front of the HC708B turns the unit on or off. The unit operates from its internal battery and this switch will save power if it is switched off.

There are no indicator lights on the HC708B.

## SECURING UNIT

The HC708B is supplied with velcro attached to the unit for your securing if required. Please note that once attached this velcro can be difficult to remove.

## PRODUCT CARE

1. Switch off and disconnect any external cables that are plugged into the HC708B unit before attempting to clean the product.
2. The Possum HC708B should be cleaned only with a soft, lint-free cloth slightly moistened with clean water.
3. Do not use abrasive or solvent-based cleaning products.
4. Do not allow moisture to enter the HC708B unit. Ensure that the product is dry before reconnecting any external leads.
5. The Possum HC708B is intended for indoor use only and is not drip proof, splash proof or waterproof.
6. The Possum HC708B is not anaesthetic proof and cannot be sterilised.

## IF YOU HAVE A PROBLEM

### IF THE UNIT STOPS RESPONDING

If the unit fails to respond to the controller then check if the IR Detector on the HC708B is not obstructed from the controller.

If there is still no response then change the batteries within the unit.

To change the batteries, unscrew the battery release and fully remove screw, on the side of the unit (see diagram).

The back end of the unit will prise off. This will reveal the two AA 1.5V cells. These *MUST* be replaced with AA 1.5V minimum 2800mAh cells or Possum part 355-005.

**(DO NOT USE RECHARGEABLE BATTERIES)**

Check the polarity of the batteries as you remove them and place the new batteries in the same way.

The unit should now function correctly.

### PLEASE NOTE:

*If you are unable to solve the problem, please contact Possum Controls Ltd. at the address overleaf for assistance.*

# HC708B

**POSSUM CONTROLS LIMITED**  
8, FARMBROUGH CLOSE  
STOCKLAKE PARK INDUSTRIAL EST  
AYLESBURY  
BUCKS.  
HP20 1DQ

TELEPHONE 01296 461000  
FAX 01296 461001

email sales@possum.co.uk  
WEBSITE <http://www.possum.co.uk>

## Notice

*Possum Controls Limited reserves the right to make improvements to this guide or the products it describes at any time and without further notice. This guide is copyright in the U.K. and all rights are reserved. No part of this guide may be reproduced by any means or in any form, without prior consent in writing from Possum Controls Limited.*

HC708B User Guide - part number: 034-514 Iss:3

© Possum Controls Limited, May 2005



## SCOPE OF USE

*Possum Controls Limited products are not authorised for use as critical components in life support devices or systems which sustain life and whose failure to perform, when properly used in accordance with the instructions for use provided, can reasonably be expected to result in significant injury or death. A critical component is any component of a life support device or system whose failure to perform can reasonably be expected to cause the failure of the life support device or system or to affect its safety or effectiveness.*

## APPROVALS

The Possum HC708B is CE marked and made to  
EN55022 Class B (I.T.E. Emmissions)  
EN55024 (I.T.E. Immunity)



This equipment does not generate, use or radiate radio frequency energy. It should not cause interference with radio and television receivers or other sensitive equipment. This equipment may be susceptible to radio frequency energy or mains conducted interference generated by other nearby equipment. Interference is unlikely to be a problem in a typical domestic environment, but if you have any queries please contact Possum Controls Limited for advice.

## SERVICING

**The only parts that are user-serviceable within the Possum HC708B are the batteries. Refer all faults to Possum Controls Limited or their authorised service agents. For battery replacement see relevant section.**

## INTERFACE CODES

The HC708B Interface uses the following codes:

HC1820 HEX3 Glide 1 - First Output  
HC1820 HEX3 Glide 2 - Second Output

## INTERFACE CODES

Also within the Possum Companion and on a PC running EZKeys the Code HEX 3 can be used. Use button A for First Output and button B for Second Output within the Companion.

HC2000B (Freeway) HEX 3 (input) option 241 - First Output

Problems may be experienced when using the HC708B with a Freeway being controlled by a HC2001. Note the Freeway will operate Channel B from the HC2001

## SPECIFICATIONS INTERNAL BATTERIES

The HC708B contains 2 AA 1.5V minimum 2800mAh battery cells.

These can be changed by a responsible person.

Do not destroy old cells.

Dispose of old battery cells at an appropriate facility. Batteries will be changed by an Engineer at the annual service.

Note: batteries should NOT be returned to Possum Controls Limited.

Please Note: *These batteries are NOT rechargeable. Do NOT attempt to recharge these batteries.*

## OPERATING/STORAGE ENVIRONMENT

Storage Temperature Range: 0°C to 40°C  
(32°F to 104°F)  
Storage Humidity Range: 30% to 75%  
(non-condensing)  
Storage Altitude Range: 0m to 2,000m

## WEIGHT AND PHYSICAL DIMENSIONS

Width: 40mm  
Length: 83mm  
Depth: 30mm  
Weight: 87 grammes